

Diesel Inverter Marine Generator

SLEEPER HC-MG5i

Thanks to the PMG inverter technology, the Sleeper generator HC-MG5i is possible to be made into the smallest, quietest and most powerful of its kind. It delivers the ideal power quality for all on-board appliances such as air-conditioning system, washing machine, cooking devices, battery charging and other AC powered devices. The sleeper generators are 100% water-cooled and equipped with the highly regarded sound insulation. They are specially designed to be light and compact, up to 30% weight and space savings.



Product features

- Reliable Sleeper water-cooled diesel engine ensure product reliability
- High efficient water-cooled permanent magnet alternator technology
- Extremely compact size and light weight for installation
- Extremely silent by aluminum composite material cabinet
- Virtually vibration free
- Outstanding voltage stability and pure sines wave are ideal for sensitive electronics
- Inverter technology saves fuel about 30% and environmentally friendly
- Local and remote digital display control panels with highly intelligent multi-function protection
- Parallel technology enables more power and cost saving



Light | Small | Compact | Quiet

www.sleeper-generator.com

HC-MG5i

60523050	230 V / 50 Hz	60523060	230 V / 60 Hz
60512050	120 V / 50 Hz	60512060	120 V / 60 Hz

MAIN SPECIFICATIONS

Nominal voltage(V)	230 / 120
Frequency(Hz)	50 / 60
Number of phases	1
Intermittent power	4kW / 5kVA
Continuous power	3.5kW / 4.4kVA
Noise(dBa/7m)	53
Rpm range	2400 - 3000 adjustable
Cooling system	Heat exchanger
Harmonic distortion	≤3%
Frequency stability	±0.1%
Alternator technology	Water-cooled, Brushless, Permanent Magnet
Generator control	PMG Inverter
Inverter (with DDC local)	PMGi 5
Control Panel	Digital Display Control (DDC local + DDC remote)

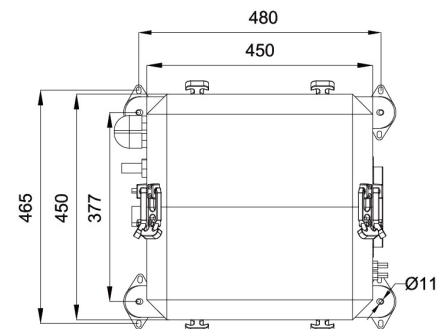
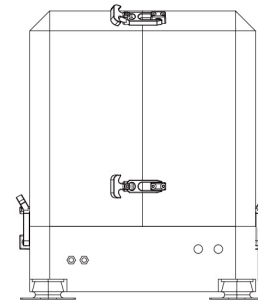
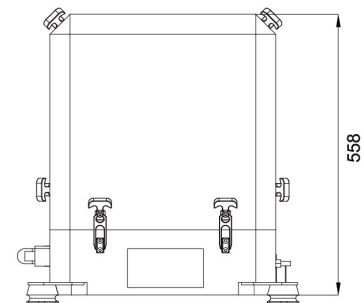
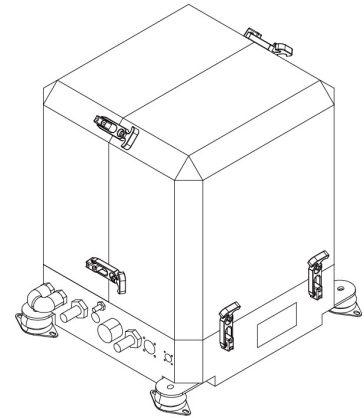
DIESEL ENGINE SPECIFICATIONS

Engine model	SLEEPER SP12
Engine power output	8kW / 3000rpm
Cylinder	1
Displacement(cc)	499
Bore x stroke (mm)	92 x 75
Fuel consumption	250 g/kWh
Start battery capacity	12VDC / 120Ah
Starter battery charge method/ current	Handy charger 12V /7A
Lubricant	At least CF
Oil capacity(L)	1.65

DIMENSIONS & WEIGHT

Cabinet dimensions (LxWxH)	450 x 450 x 558 mm
Cabinet weight	85 kg
Water inlet hose	Ø19mm
Exhaust hose	Ø40mm
Fuel Hose	Ø 8mm
Siphon breaker	Ø19mm

Dimensions



STANDARD ACCESSORIES

- | | |
|---------------------------------------|-------------------------------------|
| 1.Remote control panel with 15m cable | 2. PMG Inverter |
| 3.Waterlock with 2m exhaust hose | 4.Expansion tank with 2m water hose |
| 5.Electric fuel pump | 6. Fuel-water separator |
| 7. Syphon breaker | 8. Seawater filter |
| 9.Non-return valve | 10.Seawater pump |
| 11.Handy charger | 12. Clamps and screws |
| 13.User's manual | |

Generator Control Panel GEC4500

The GEC4500 series controller provides remote start/stop and advanced control, system monitoring, and system diagnostics for optimum performance and compatibility.

General Description:

- Overall Dimension: 152 x 100 x 84.7mm
- Panel Cutout: 116 x 90mm
- Weight: 320g
- Voltage supply: 8V - 35V
- Operating temperature: -25+70 °C
- RS485, CAN bus output with SAEJ1939 protocol

Digital Display Information:

- Voltage (V)
- Frequency (Hz)
- Current (A)
- Power (kW)
- Oil Pressure(bar)
- Coolant Temperature (°C)
- Battery Voltage (V)
- RPM
- Fuel level
- Running hours
- History log

Alarm :

- High temperature
- Over speed
- Over load
- Over current
- Short circuit
- Low oil pressure
- Over/Under voltage
- Over/Under frequency
- Emergency stop



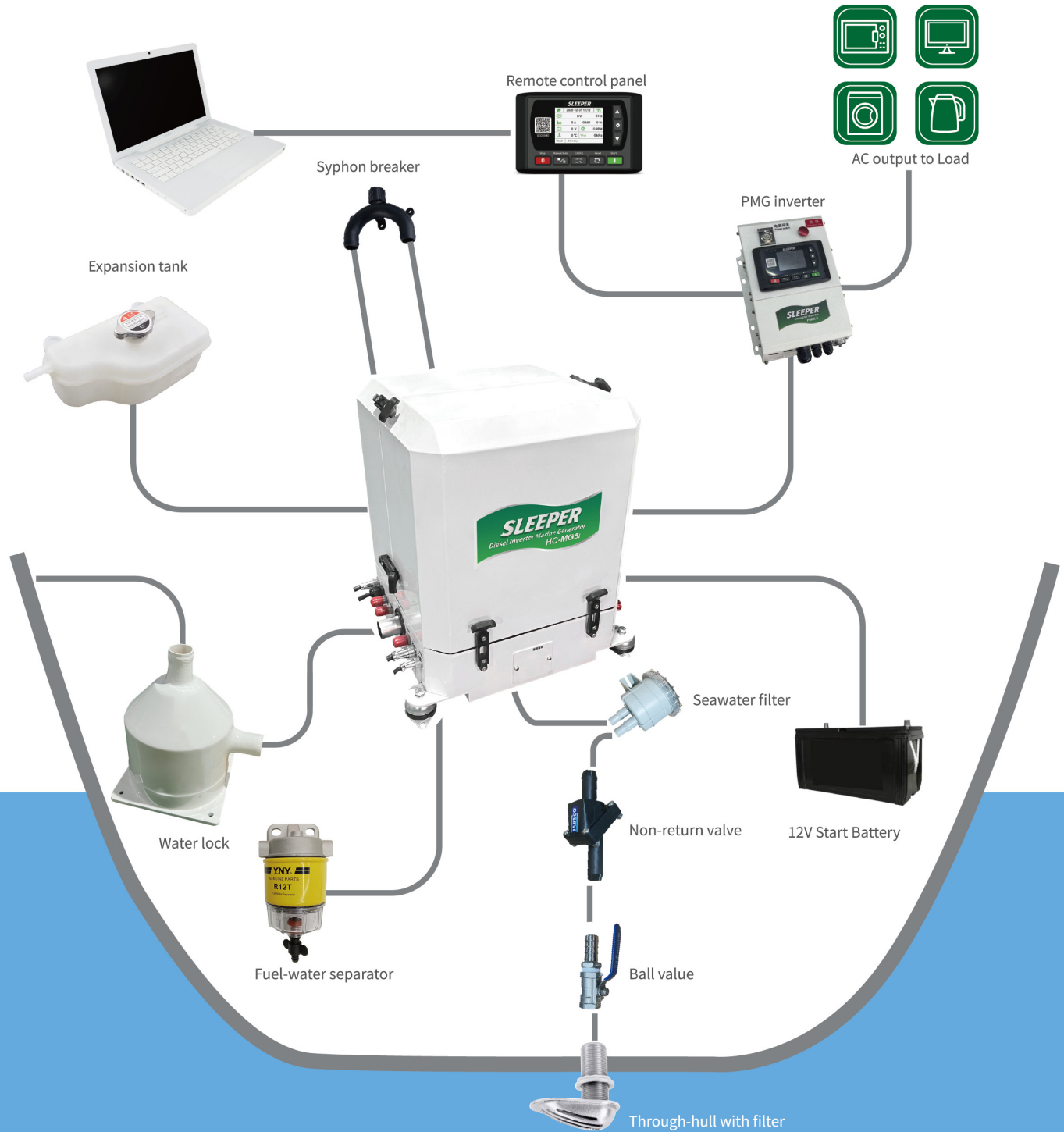
Generator Control Panel

Warnings

- Over/Under battery voltage
- Maintenance request

Installation system

This diagram showcases a complete view of necessary installation facilities for a single Sleeper generator. We highly recommend our respectful users to exclusively employ the facilities originally offered by us.



Cixi Handsometech Generator Co., Ltd
No.5 Hengpeng Road, Henghe Town, Cixi, Zhejiang Province, China, 315318
Tel/Fax : +86-574-63265576
www.sleeper-generator.com
sales@sleeper-generator.com

Authorized dealer: